

Roller Type Selection Tables TR

Models:

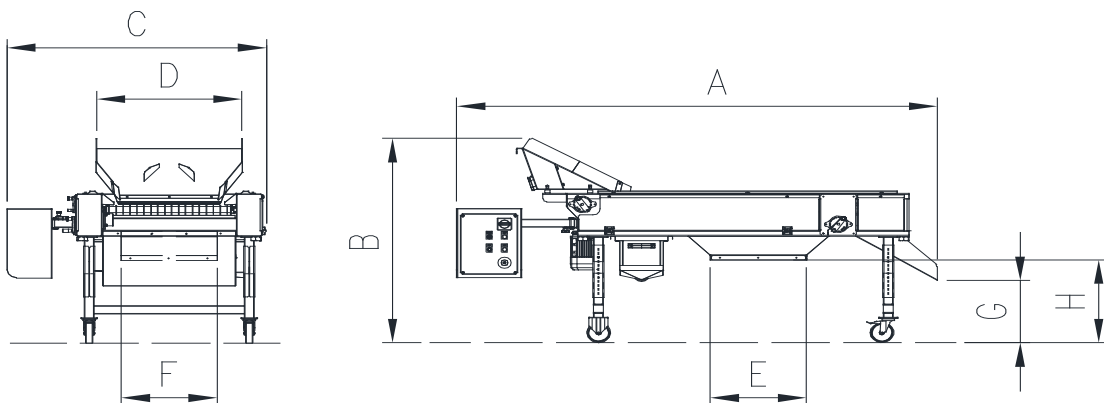
TR 15 - TR 25

Technical description

The roller type selection tables are used in grape receiving and selection lines for sorting destemmed grapes or mechanically harvested grapes. Fitted to separate the berries from all foreign bodies, such as leaves, stems, small berries and other undesired materials.

The roller selection tables are equipped with vibrating hopper to uniformly distribute the product and two sections of rollers, independent among each other. A slotted pan for waste recovery is installed below the first section of rollers. The standard roller selection table includes an variable electric drive to adjust the rotation speed of the rollers.



Drawing TR 15/TR 25




Technical Data TR

		TR 15	TR 25					
A	mm	2.450	2.450					
B	mm	1.215	5.710					
C	mm	1.066	1.378					
D	mm	756	1080					
E	mm	500	500					
F	mm	500	500					
G	mm	390	435					
H	mm	519	519					
Installed power	kW	0,75	1,3					
Capacity	ton/h	15	25					

Options TR

 Available
 Not available

	TR 15	TR 25						
Motorized screw pan for waste recovery								
Raised frame up to 600mm								

N.B.

The above data is indicative and may vary according to the degree of ripeness, type of grape and filling method. All data refers to initial whole bunch weight prior to any operation like destemming, crushing, maceration, fermentation, etc.

